

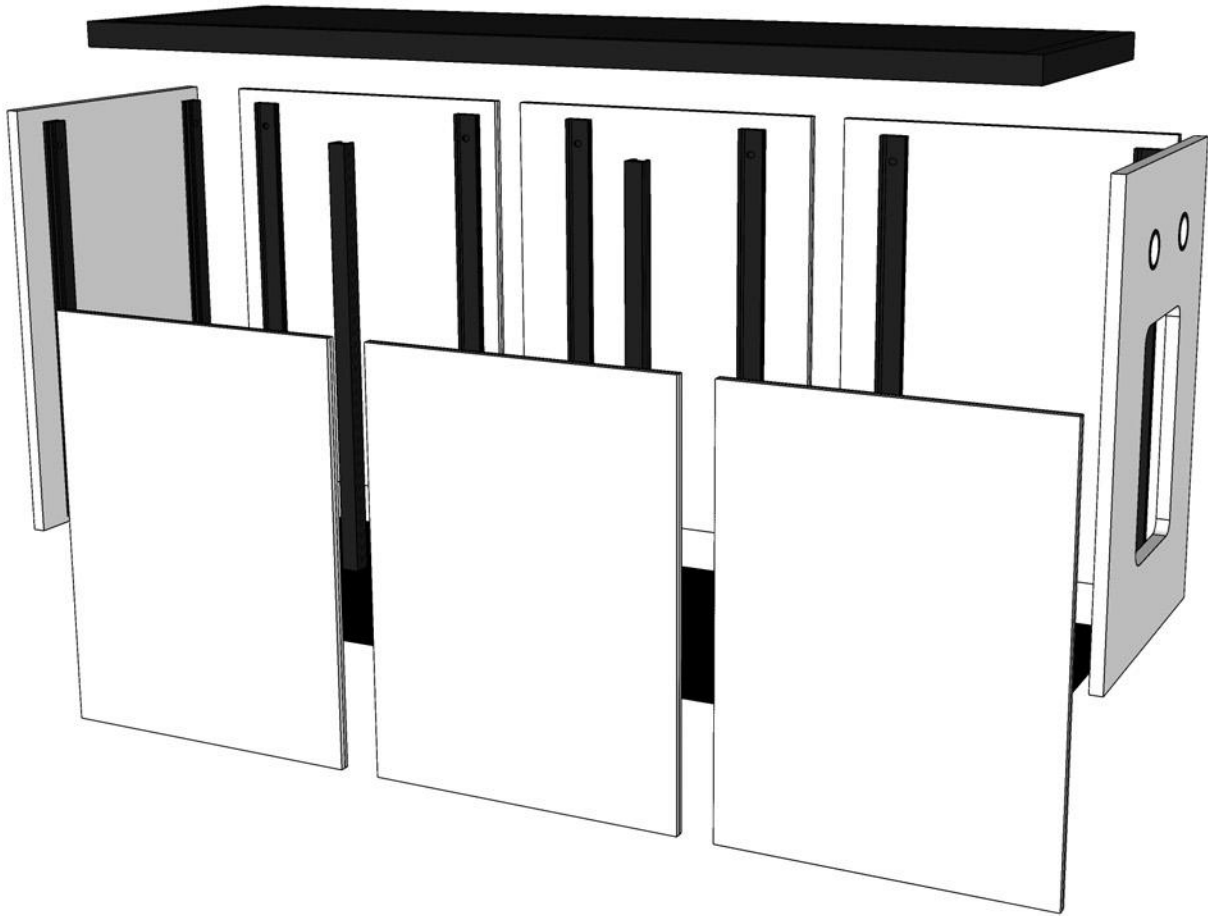


**Neptunian Cube**

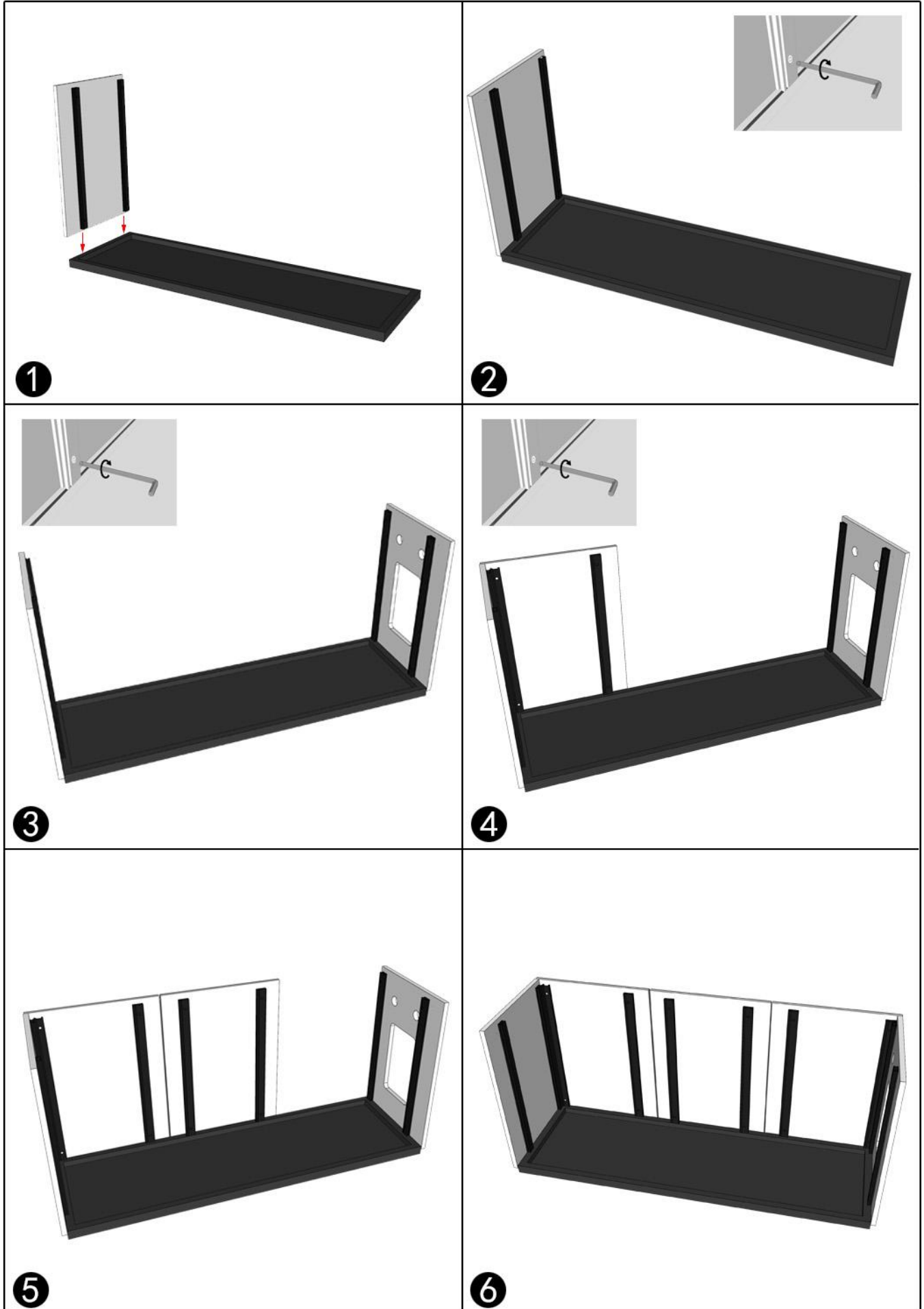
## Installation Manual

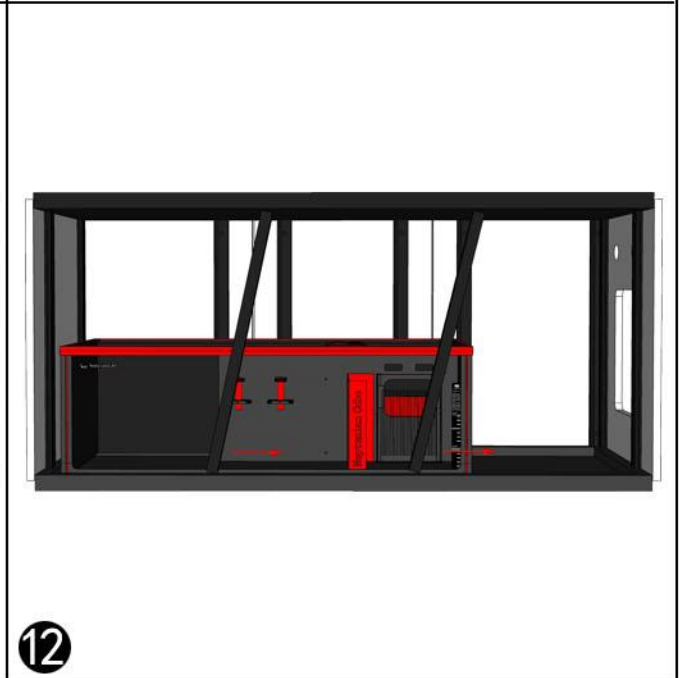
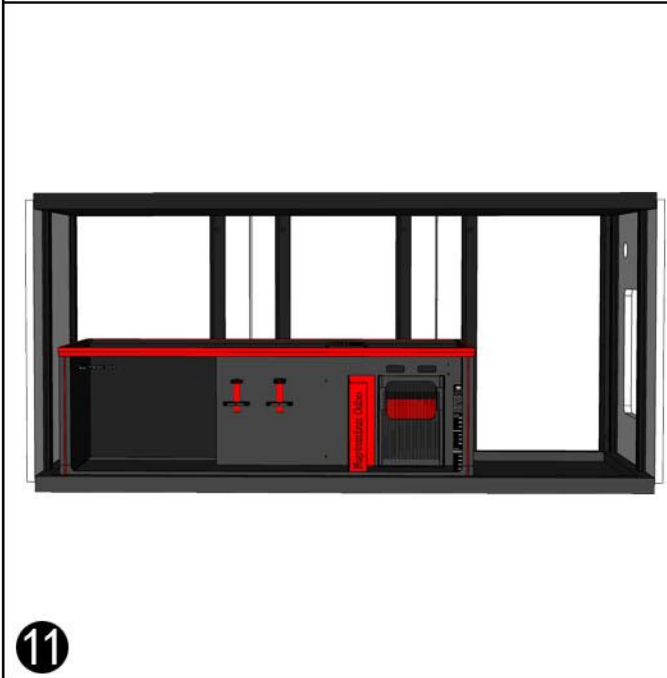
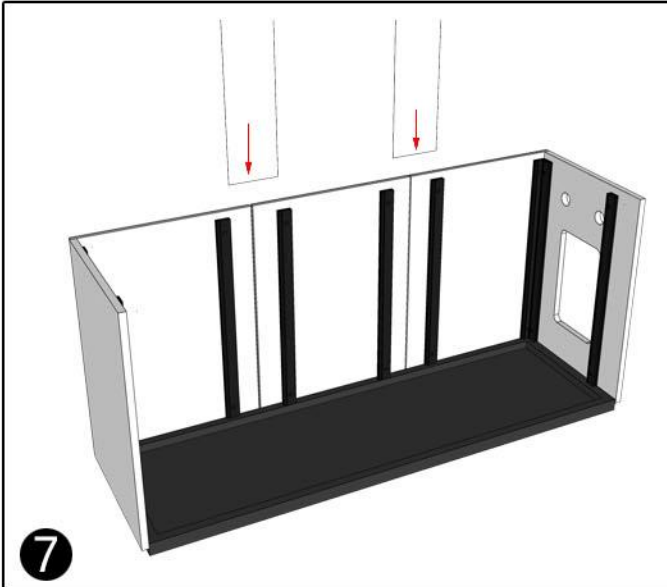


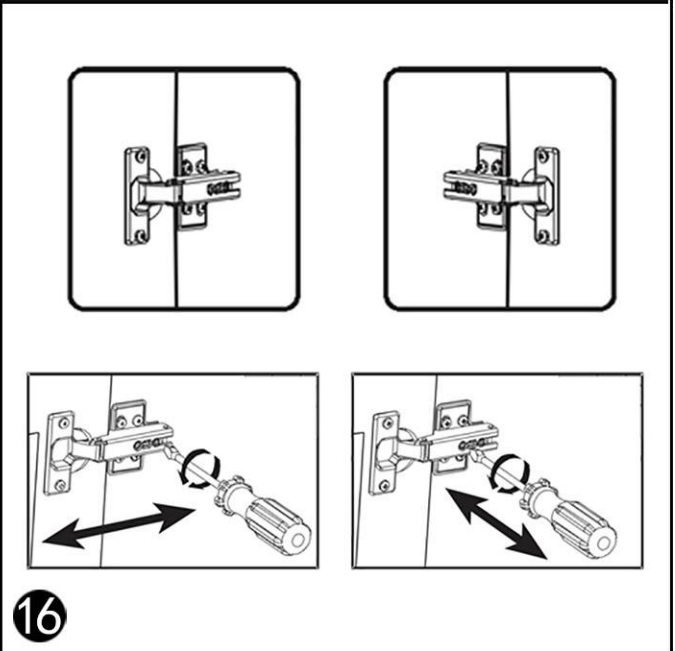
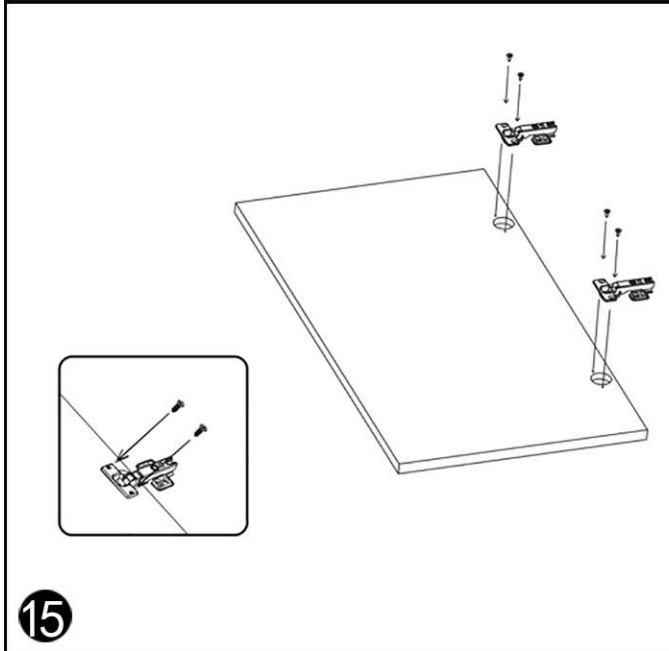
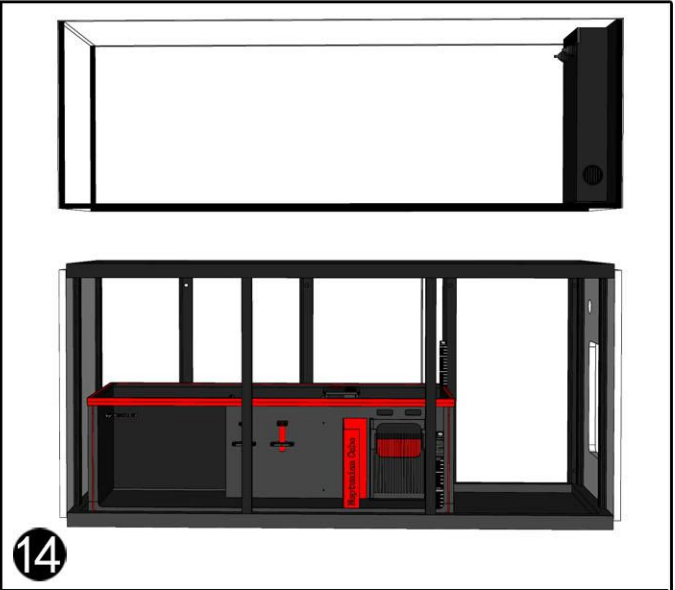
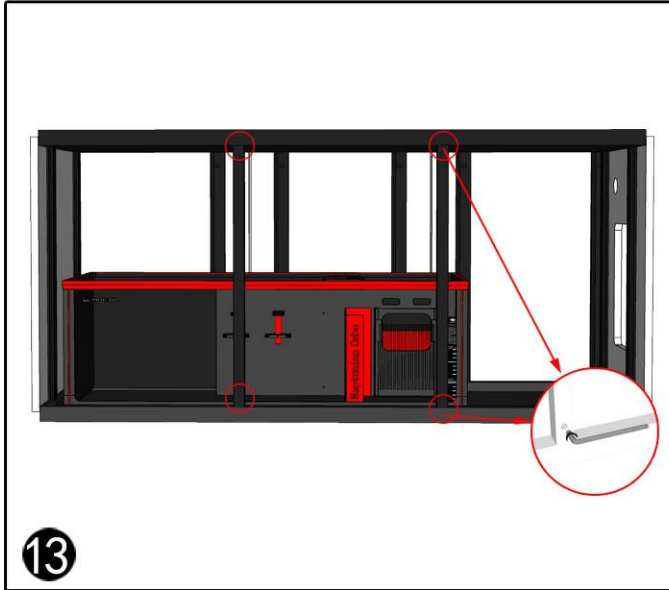
### Peninsula-180

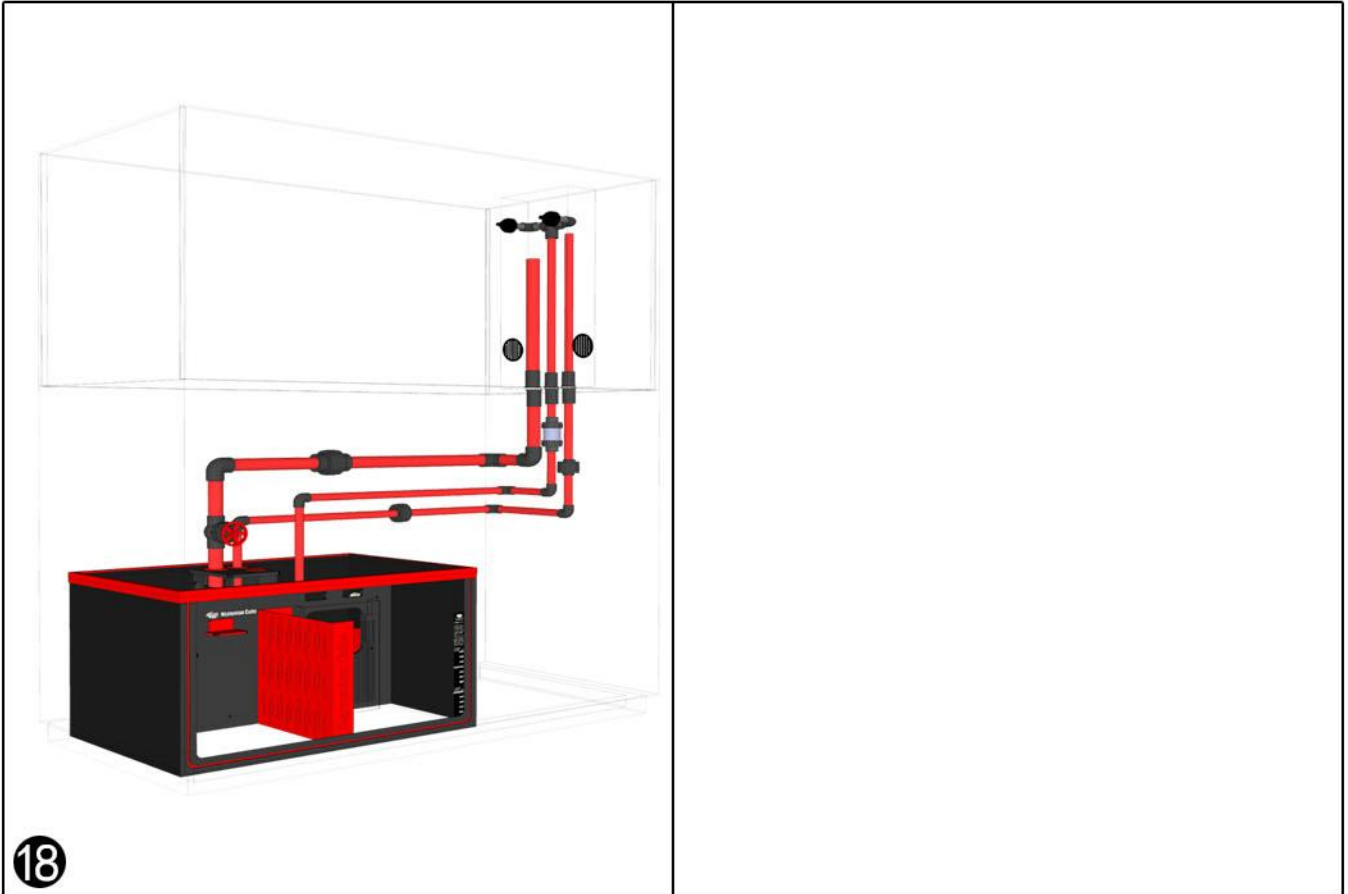


 x6	 x24  x3		 x2	 x1
-------------------------------------------------------------------------------------------	-----------------------------------------------------------------------------------------------------------------------------------------------------------------------------------	--	------------------------------------------------------------------------------------------	------------------------------------------------------------------------------------------

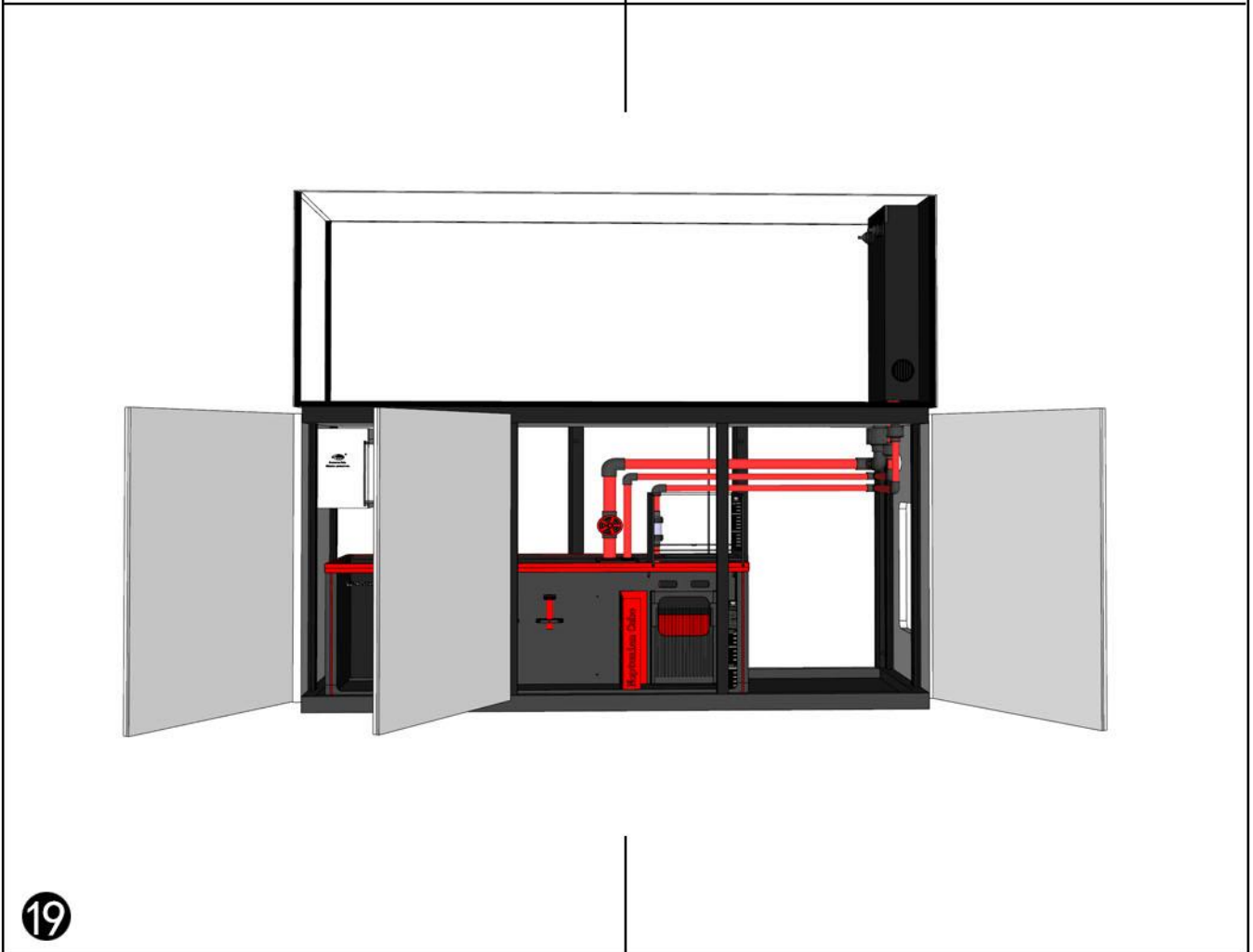








18



19